



### Model AT03 Series

10 psi max. pressure continuous duty  
3.7 CFM open flow

### Model AT05 Series

10 psi max. pressure continuous duty  
15 psi max. pressure intermittent duty  
4.8 CFM open flow

### Product Features

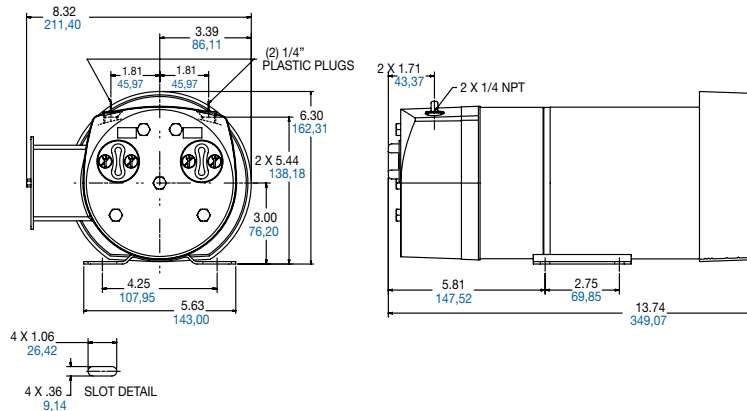
- Oilless operation
- Motor mounted
- New motor design
  - Totally Enclosed Fan Cooled (TEFC) motor offers better protection against environmental conditions.
- Improved mounting stability
- UL Recognized (pressure only)

### Includes

- Thermal protector
- Internal muffler and filter
- External inlet filter

### Product Dimensions (inches, mm)

Dimensions are for reference only



### Product Specifications

Model Number	Voltage/ Frequency/Phase	RPM	HP	kW	Rated Amps	Net Weight	
						lbs	kg
AT03-101-G215DX	115/60-1	1725	1/4	0,19	4.3	29.5	13,4
AT05-101-G215DX	115/60-1	1725	1/4	0,19	4.7	29.5	13,4

### Product Performance

