

www.septicsolutions.com
 SEPTIC SOLUTIONS, INC.
CYCLONE™
 High Performance Air Pumps

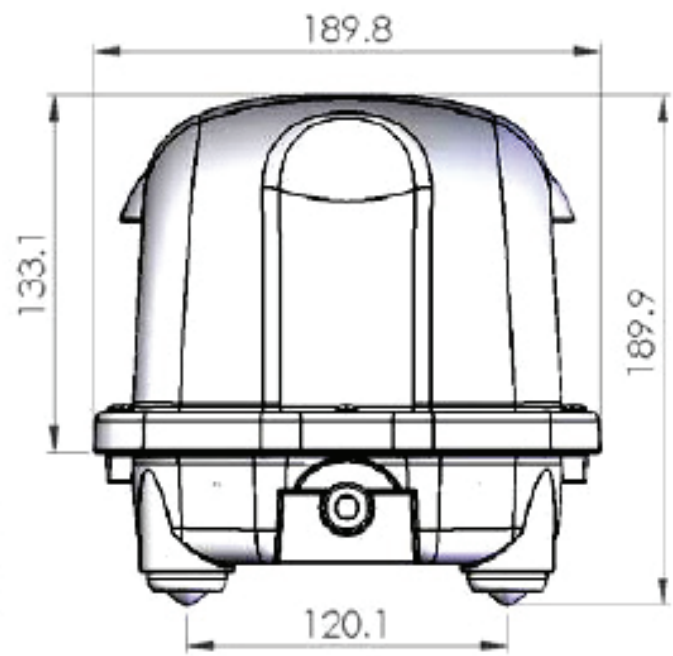
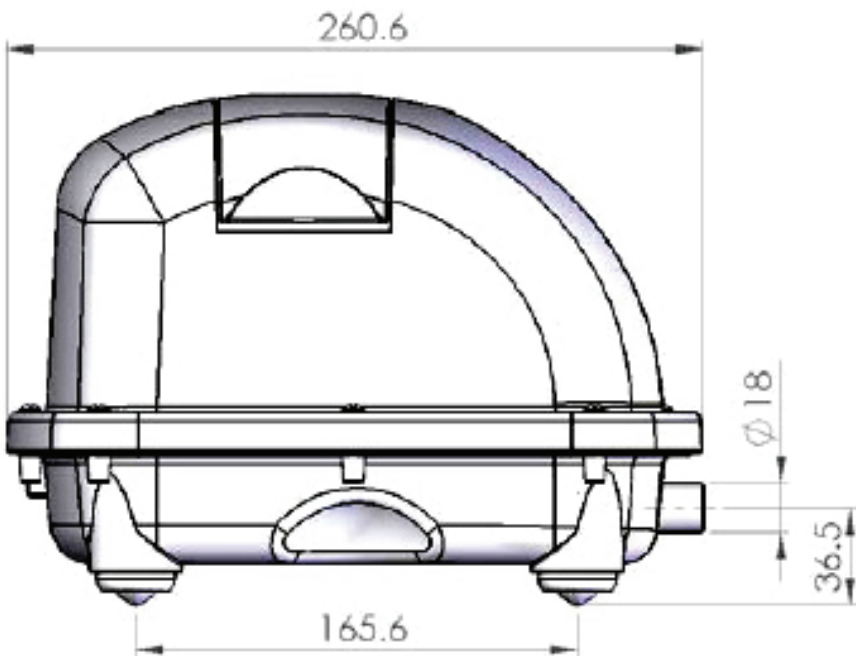
SSP-40



AIR PUMP SPECIFICATIONS

| | |
|-----------|----------|
| Voltage | 115 VAC |
| Amperage | 1.0 A |
| Wattage | 40 W |
| Max CFM | 2.1 cfm |
| Rated LPM | 40 lpm |
| Max PSI | 5.83 psi |

CFM = Cubic Feet/Min LPM = Liters/Min PSI = Lbs/Sq In



Dimensions measured in mm

Copyright © 2013 Septic Solutions, Inc. All Rights Reserved.