

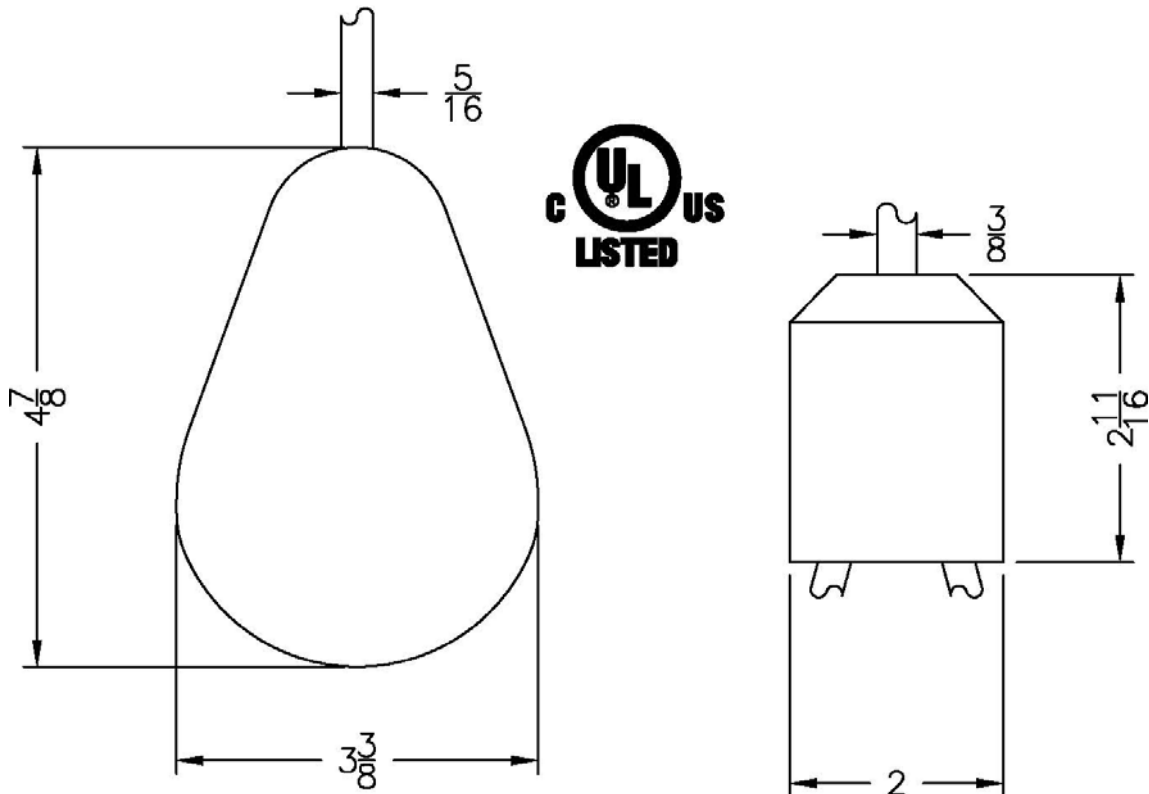


Float Switches

“20A500” Series Double Navigator Float Switches

Features & Benefits

- Durable Polypropylene ABS Body Foam Filled Construction
- Mechanical Type Switch Actuation
- Wide Angle (90° Operating Range)
- Large Drawn Down Range:
- Pump Duty Rated
- Available in 120V or 240V models
- Max. ratings:
For 120V model: 1HP, 15 F.L.A. maximum
For 240V model: 2HP, 15 F.L.A. maximum
- Available with or without Piggyback plug
- Available in Pump Up or Pump Down Configurations
- Available w/SST Pipe Clamp or Cable Tie
- Multiple Cord Lengths Available



*Note: Consult the factory for other available options. Not Recommended for Potable Water Applications.

“20A500” Series Double Navigator Float Switches

Typical Installation

NOTE:

Float switch voltage must be selected to match the pump and incoming power voltage.

