

VersAlarm™ 1-Zone Sump Alarm



Leading Edge Control Products

Standard | Rated Type 1, Indoor Alarm Panel

MODEL: VA-02, SUMP ALARM with ALARM ADVISOR™ SENSOR

TECHNICAL DATA SHEET

DESCRIPTION OF OPERATION

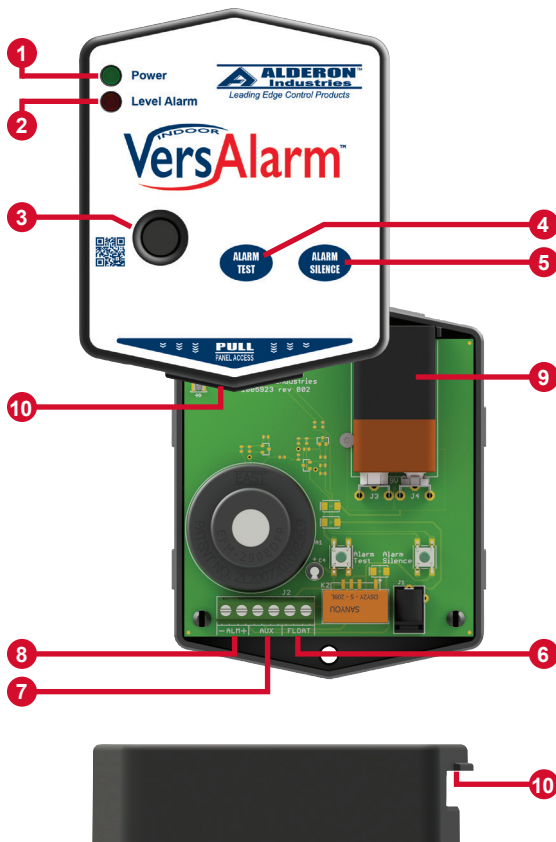


The VersAlarm™ 1-Zone Sump Alarm is an indoor rated alarm panel, powered by a standard 120VAC wall outlet. The green power LED will illuminate (solid) when powered.

The alarm panel is equipped with audible and visual alarm indication, activated by an Alarm Advisor™ Sensor (normally open) installed in the sump basin and connected to the terminal block. A variety of sensors can be used such as a float switch, pressure switch, or any "dry" type sensor that "closes" during an alarm condition (normally open or normally closed). Installing a 9VDC battery (not included) provides battery backup during power outages. Use the auxiliary contacts to connect to building automation systems (BAS) and phone dialers. Multiple sensors (signaling device) can be connected for expanded monitoring.

An alarm condition occurs when water activates the high level alarm float on the sensor, during which the red alarm LED will illuminate (solid), buzzer will annunciate (solid), and the auxiliary contacts will activate. The alarm condition will stay on until the water level recedes deactivating the high level alarm float on the sensor. If the alarm silence pushbutton is pressed during an alarm condition, it will silence the buzzer while the alarm LED remains on. The silence condition will reset when the sensor deactivates and the alarm panel will auto reset for the next alarm cycle.

STANDARD FEATURES



(1) **Power LED** - A green LED illuminates (solid) on the front of the alarm panel to indicate the power is on.

(2) **Alarm LED** - During a level alarm condition, the red alarm LED will illuminate (solid) on the front of the alarm panel.

(3) **Alarm Buzzer** - The alarm buzzer will annunciate (solid) in addition to the visual indication provided by the red level alarm LED during an alarm condition.

(4) **Alarm Test Pushbutton** - Press the pushbutton to test the alarm to ensure proper operation. The buzzer should annunciate, alarm LED should illuminate, and auxiliary contacts should activate.

(5) **Alarm Silence Pushbutton** - Press the pushbutton to silence the buzzer during an alarm condition. The alarm LED remains illuminated until the alarm condition has been cleared and the alarm panel will auto reset for the next alarm cycle.

(6) **Sensor Inputs** - Connect a field installed sensor to the terminals from the monitoring area.

(7) **Auxiliary Contacts** - Interface with an external device including BAS systems and phone dialers. The normally open dry contacts can switch 24VDC, 500mA maximum (each).

(8) **Secondary Alarm Device Inputs** - Provides a secondary remote alarm notification (Alderon™ indoor/outdoor LED strobe beacon).

(9) **Battery Backup** - Install a 9VDC battery (not included) for battery backup during power outages. The power LED will not illuminate during battery backup mode to conserve battery power.

(10) **Panel Access** - Pull the cover off to access the panel, includes an open wiring compartment to safely route wires while connecting sensors and auxiliary dry contacts.

SPECIFICATIONS

VersAlarm™ 1-Zone Sump Alarm

Primary Power
120VAC, 50/60 Hz

Circuit Board Primary Power
11.1VDC, 500mA maximum

Circuit Board Secondary Power
9VDC, standard 9VDC battery
(battery backup; not included)

Watts
1.4 Watts

Field Connection Sensor
9-10VDC, 200mA minimum
(signaling device)

Auxiliary Contacts
24VDC, 500mA maximum (each)
Normally Open

Auxiliary Alarm Power
8-10.2VDC, 150mA maximum

LEDs
Green (power) and Red (alarm)

Buzzer
85 dB @ 10-feet

Wall-Mounted Power Supply
120VAC, 50/60 Hz (input)
11.1VDC, 500mA maximum (output)
(6-foot cord)

Enclosure
Thermoplastic
5 x 4 x 1.3 (inches)
Type 1, Indoor
Removable Cover

Certifications
CSA (US and Canada)

Three-Year Limited Warranty

Alarm Advisor™ Sensor

Electrical
24VDC

Switching Current
100mA maximum

Switching Contacts
2-wire; common and high level alarm
(normally open)

Alarm Activation
Preset level on discharge pipe in monitoring area

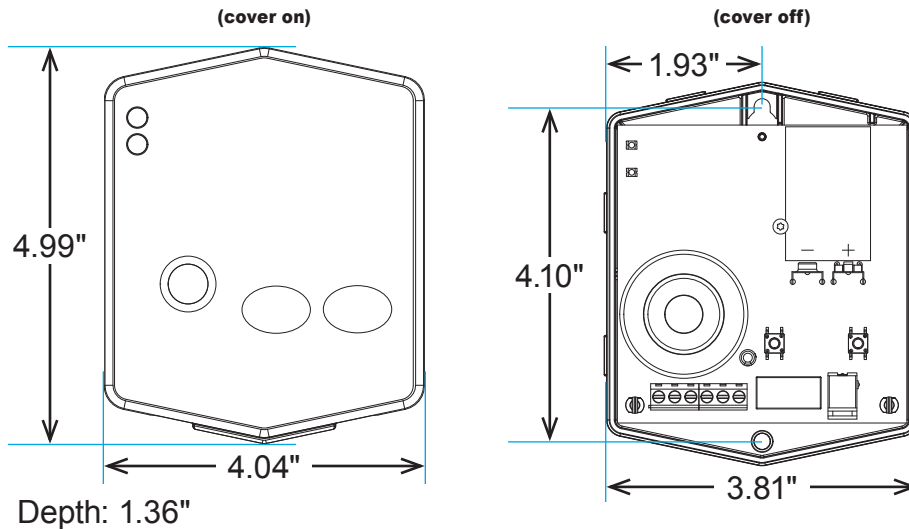
Cable Type
PVC, 22 gauge, 2-conductor

Three-Year Limited Warranty

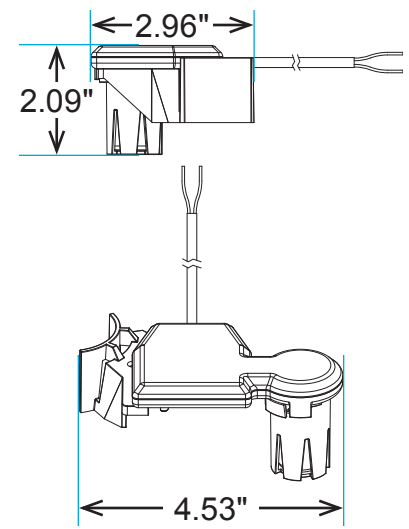
CAUTION: Connect ONLY to Alderon™ alarm panel monitoring systems.

MECHANICAL DRAWING

VersAlarm™ 1-Zone Sump Alarm



Alarm Advisor™ Sensor



ORDERING INFORMATION

For a complete list of standard products with pricing, refer to the current year price sheet or visit alderonind.com for more information.

PART NUMBER	DESCRIPTION (Alarm Panel includes: Auto Reset, Battery Backup, and Auxiliary Contacts)
2000521	VersAlarm™ - Sump Alarm, 10' Alarm Advisor™ Sensor with Bracket, Stainless Steel Pipe Clamp
2000522	VersAlarm™ - Sump Alarm, 15' Alarm Advisor™ Sensor with Bracket, Stainless Steel Pipe Clamp
2000523	VersAlarm™ - Sump Alarm, 20' Alarm Advisor™ Sensor with Bracket, Stainless Steel Pipe Clamp
VERSALARM™ INDOOR ALARM ACCESSORIES EXPANDED APPLICATIONS	
7008	WaterSpotter™ Flood Sensor, AWS Series, 15' Cable
7933	Strobe Beacon, 6-12VDC