

# GRINDER PUMPS

## Model: AGPR



### Physical Data:

DISCHARGE SIZE	1-1/4" NPT + Flanged Horizontal with Vertical Adapter
IMPELLER TYPE	10-Vane, Noryl™
CABLE LENGTH	20' Standard, 35' Optional

### Liquid Handling:

SOLIDS COMPOSITION	Domestic Wastewater with Fibrous Solids
MAXIMUM LIQUID TEMP.	140°F – Intermittent 104°F - Continuous
ACCEPTABLE PH RANGE	6-8

### Temperature:

WINDING INSULATION	145°C
INSULATION CLASS	H

### Technical Data:

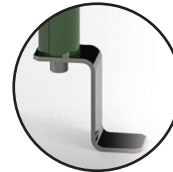
SENSOR CORD TYPE	14AWG/3C (1PH)
MOTOR HOUSING	Cast Iron
CASING	Cast Iron
IMPELLER	Noryl™
MOTOR SHAFT	416 SST
HARDWARE	SS
"O" RINGS	BUNA-N™
MECHANICAL SEALS	Carbon/Ceramic
UPPER BEARING	6303
LOWER BEARING	6205
CUTTERS	440 SS- Case Hardened 58-60 Rockwell

### Electrical Data:

R.P.M.	3450
MOTOR TYPE	CSCR (1PH)
GEN INSULATION CLASS	H
STATOR WINDING CLASS	H
WINDING INSULATION TEMP	180°C
VOLTAGE TOLERANCE	±10%
HP	2
VOLTAGE	230
PHASE	1
SERVICE FACTOR	1.42



**Hybrid Cutters**  
440 SST, Hardened  
PATENTED  
(U.S. Patent No.  
10,316,846)



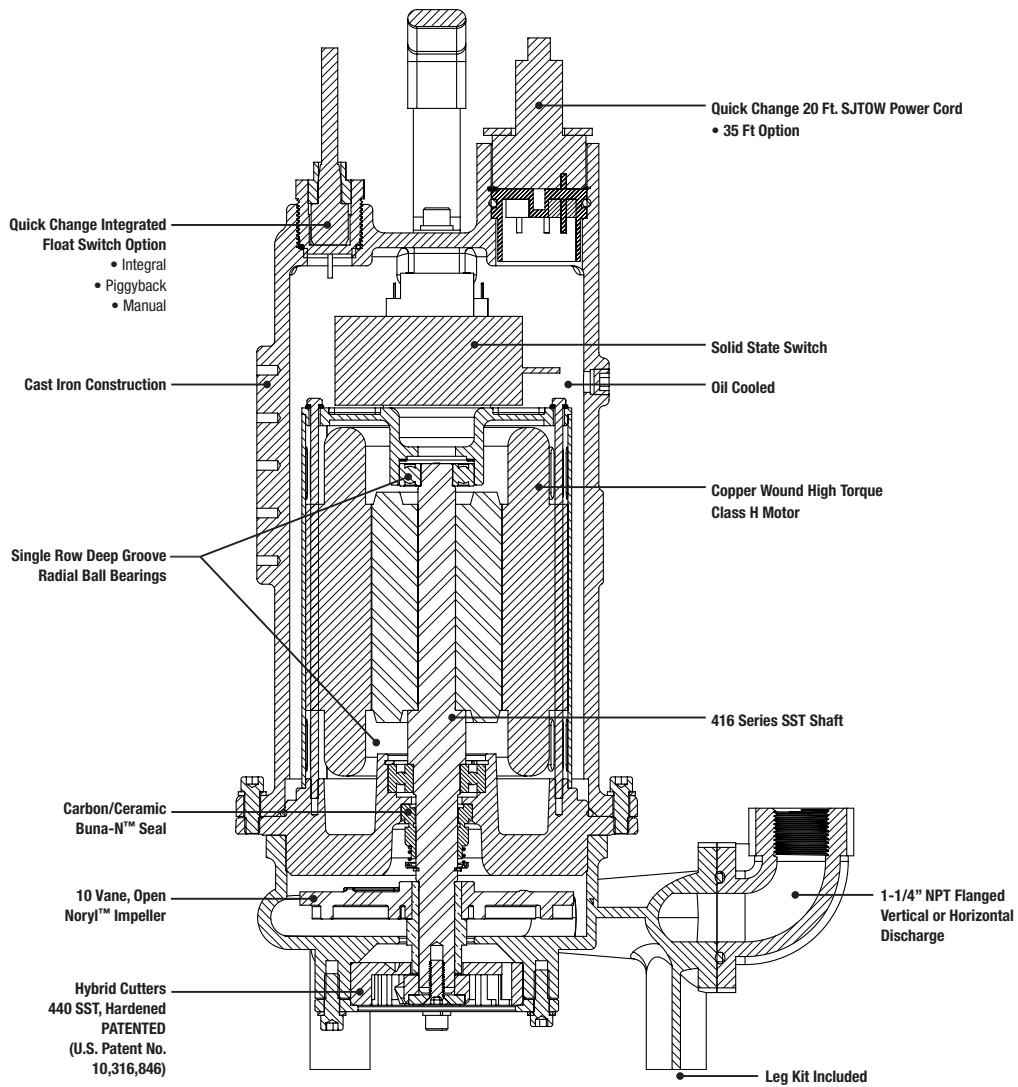
**Leg Kit Included**



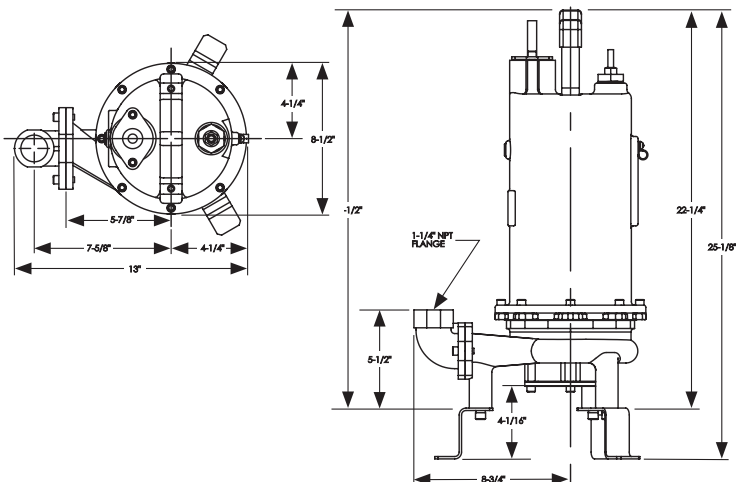
**Optional:**

- Manual with 20' & 35' Cord Lengths
- 3' Integral switch
- 20' & 35' Piggyback Wide Angle Switch

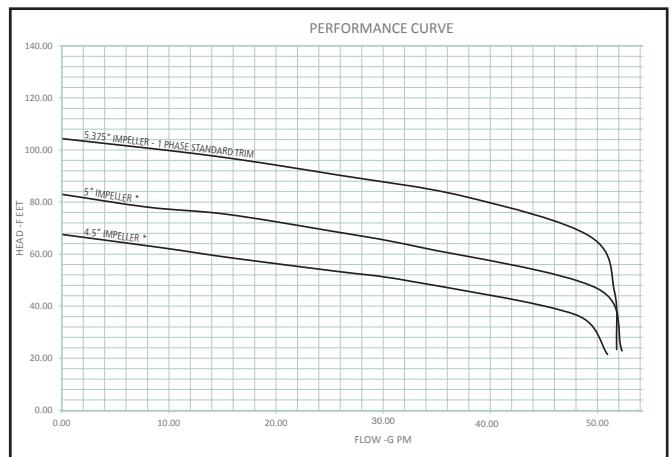
MODEL	HP	HZ	VOLTS/PH	RPM	FULL LOAD AMPS	NEMA START CODE	CORD TYPE	CORD SIZE	CORD OD	SOLID STATE RELAY	START CAPACITOR	RUN CAPACITOR	SWITCH TYPE
AGPR200M2-20	2	60	230/1	3450	15	G	SJTOW	14 AWG/3C	.36-.37	SAMUSCO ECS225P	MARS 11068	MARS 12248	N/A
AGPR200M2-35	2	60	230/1	3450	15	G	SJTOW	14 AWG/3C	.36-.37	SAMUSCO ECS225P	MARS 11068	MARS 12248	N/A
AGPR200W2-20	2	60	230/1	3450	15	G	SJTOW	14 AWG/3C	.36-.37	SAMUSCO ECS225P	MARS 11068	MARS 12248	INTEGRAL
AGPR200W2-35	2	60	230/1	3450	15	G	SJTOW	14 AWG/3C	.36-.37	SAMUSCO ECS225P	MARS 11068	MARS 12248	INTEGRAL
AGPR200WP2-20	2	60	230/1	3450	15	G	SJTOW	14 AWG/3C	.36-.37	SAMUSCO ECS225P	MARS 11068	MARS 12248	PIGGY-BACK
AGPR200WP2-35	2	60	230/1	3450	15	G	SJTOW	14 AWG/3C	.36-.37	SAMUSCO ECS225P	MARS 11068	MARS 12248	PIGGY-BACK



## Dimensions



## Performance Curve



# Ashland

P U M P

*Honest, Professional, Dependable*

1899 Cottage Street, Ashland, Ohio 44805

Telephone: 855 281-6830 • Fax: 877 326-1994 • ashlandpump.com