



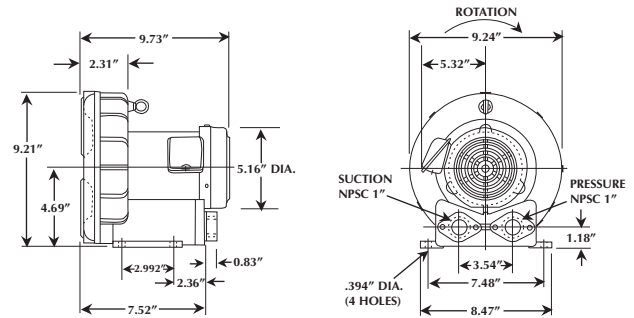
VFC20

RING COMPRESSOR



3-Phase version shown
Contact factory for other versions

The VFC20 is a single-stage ring compressor with a maximum pressure of 37 in. H₂O, a maximum vacuum of 34 in. H₂O, and a maximum capacity of 42 SCFM. It comes complete with a direct-drive, 1/3 horsepower, TEFC motor capable of operating on a wide range of voltages, and on 50 or 60 Hz. A pilot-duty thermal protector is standard equipment on all 3-phase models, and built-in automatic reset thermal protectors on 1-phase units. All versions have NEMA class B insulation, are UL recognized, CSA certified and CE.



SPECIFICATIONS

Model No.	Hz	Voltage	Amps		Max. Pressure	Max. Vacuum	Max. Airflow	Min. Airflow	Max. Temp Rise (ΔT)	Weight
			(Max. Rated)	(Locked Rotor)						
3 Phase 1 Phase VFC200P-5T	60	115/230	Low Voltage/High Voltage		34	33	42	3.5	72(40)	22(10)
	50	110/220	3.6/1.8	11/5.5	26	25	35	3.5	65(35)	
3 Phase 1 Phase VFC200A-7W	60	200-240/400-480	1.2-1.2/0.6-0.6	5.2-6.0/2.6-3.0	37	34	42	3.5	72(40)	
	50	190-230/380-460	1.0-1.1/0.5-0.55	5.8-6.6/2.9-3.3	26	25	35	3.5	65(35)	

ACCESSORIES

Description	Vacuum Relief Valve	Pressure Relief Valve	Inlet Filter	Inlet Filter Cover	Inlet Filter/Receiver	Exhaust Silencer/Muffler
Model No.	Not Req'd	Not Req'd	F-123	C-123	R15P	VFY-021A

NOTE: Maximum allowable time at deadhead is 240 seconds.

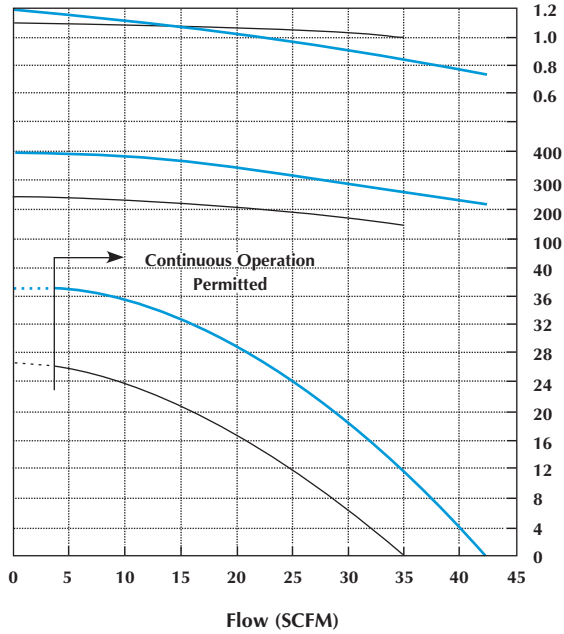


VFC20 PERFORMANCE DATA

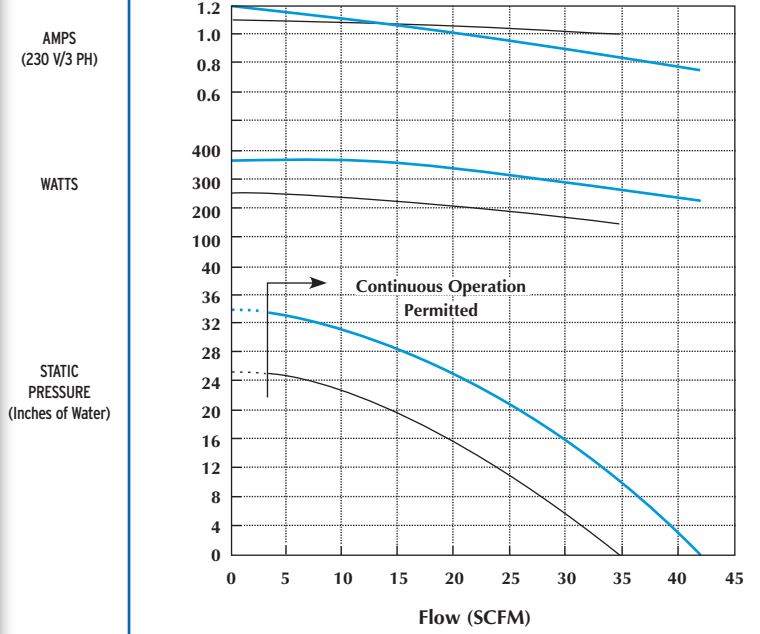
KEY

— 60 Hz
— 50 Hz

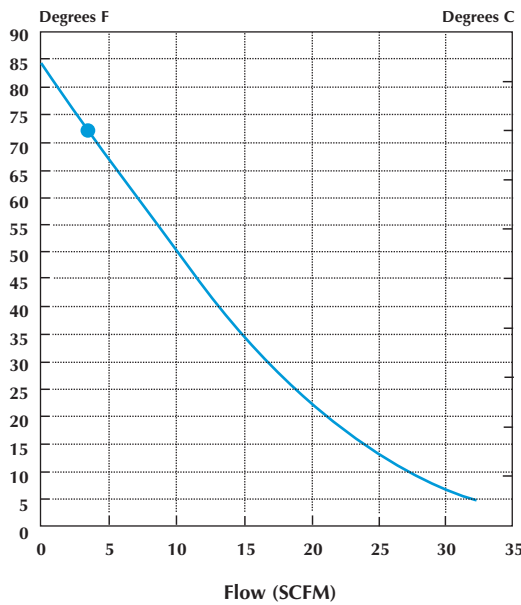
PRESSURE



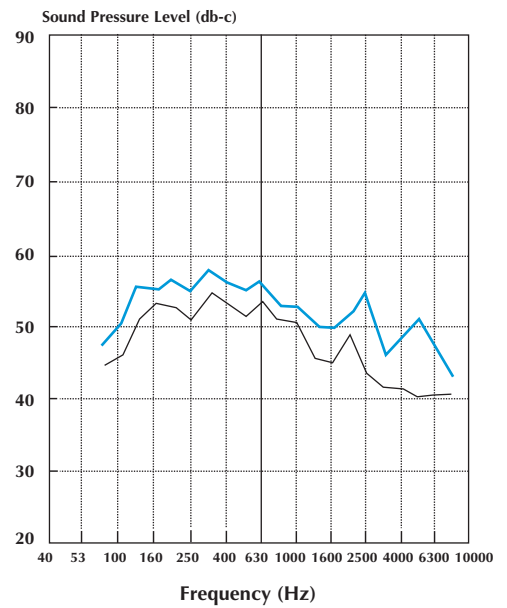
VACUUM



TEMPERATURE RISE



SOUND LEVEL



Max. Air Temperature is Value Marked • plus 40 Degrees C Ambient Temperature

*Measured at distance of 1.0 meters