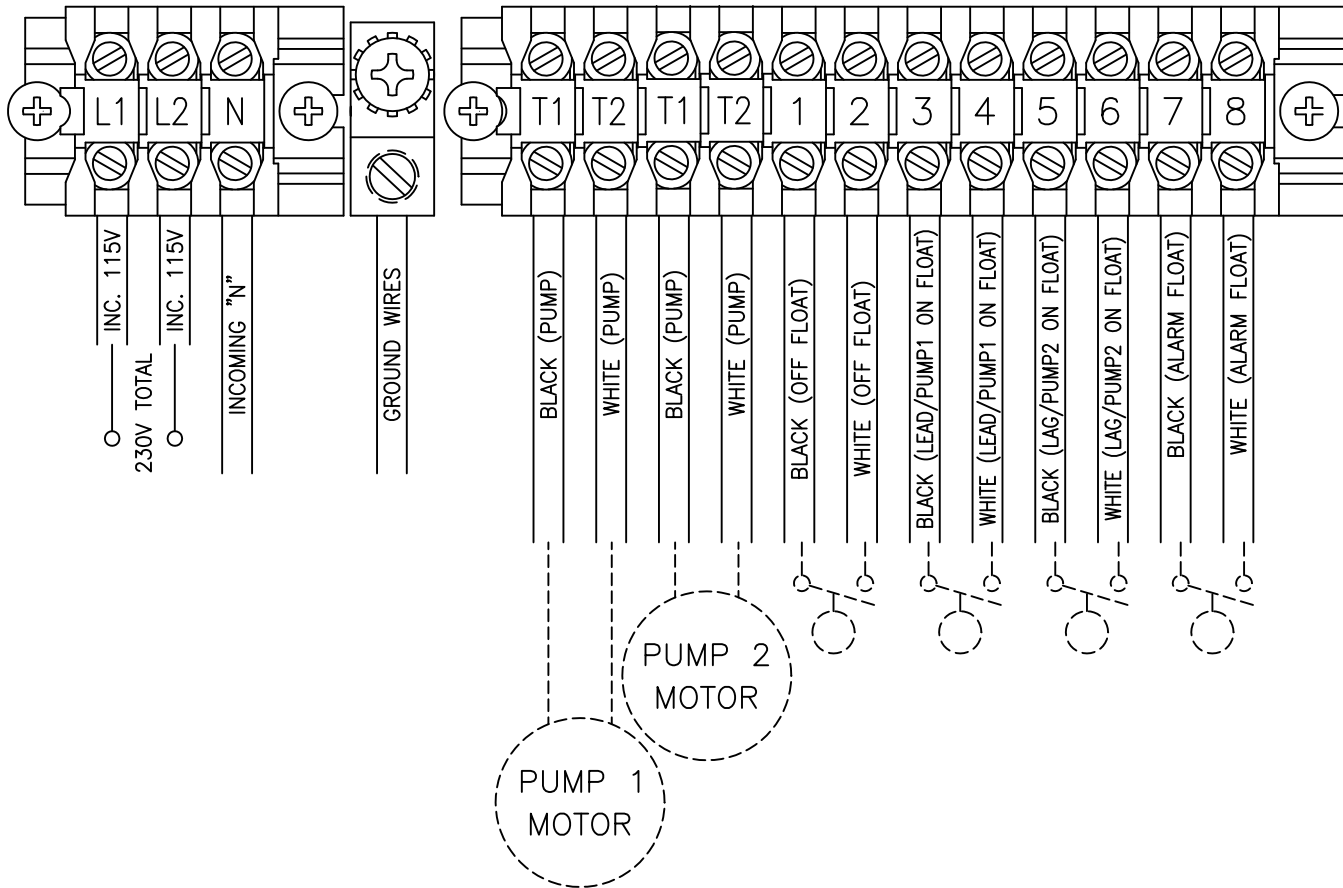


230V CONNECTION DIAGRAM

TIGHTENING TORQUE FOR TERMINAL BLOCK IS 16 in-lbs.

INCOMING POWER CONNECTIONS

PUMP & FLOAT CONNECTIONS



ALL INFORMATION CONTAINED IN THIS DRAWING IS CONFIDENTIAL AND PROPRIETARY TO SEPTIC PRODUCTS INC.



Septic Products Inc.

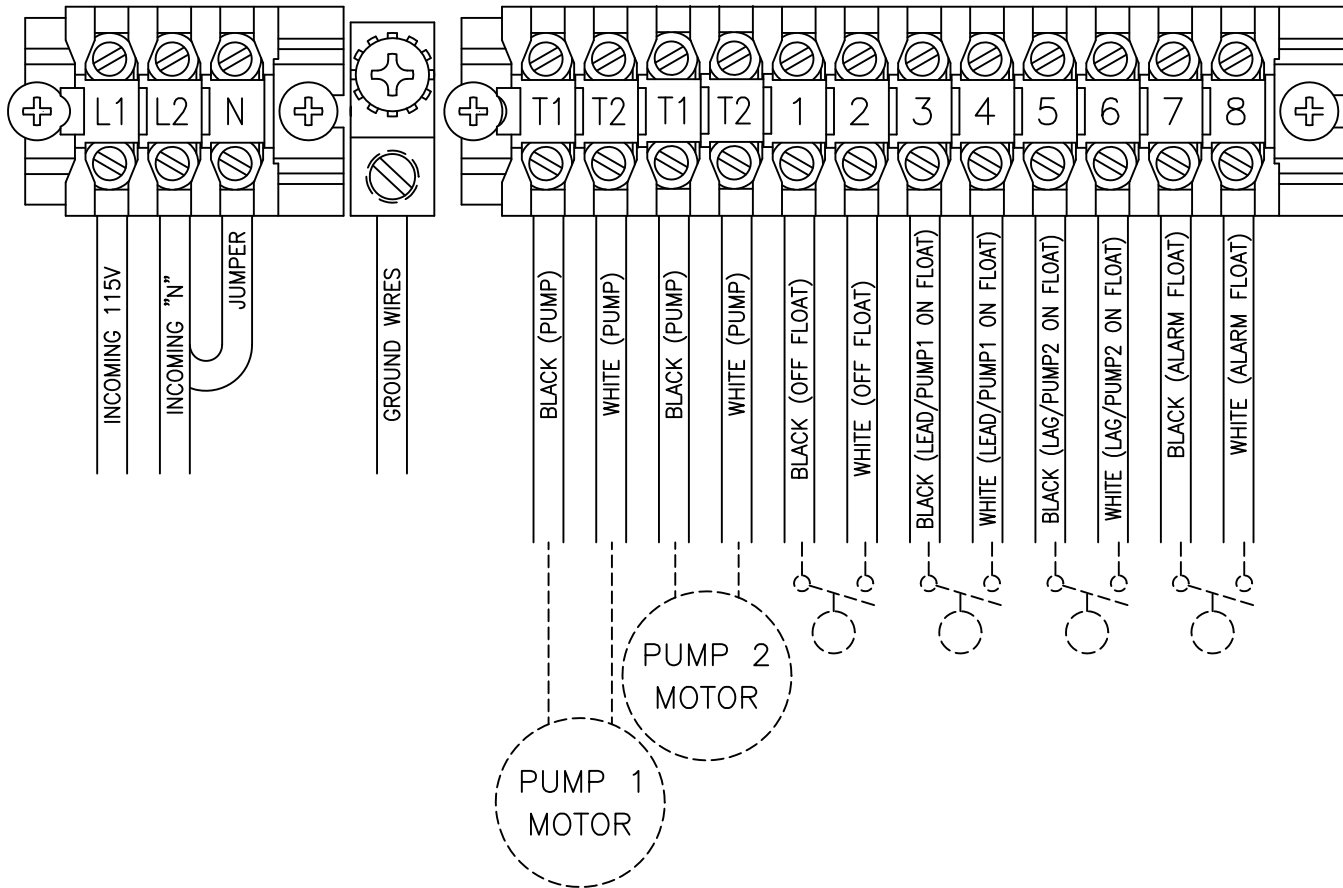
CHANGES	TOLERANCES	DRAWN BY	DATE	115/230V DUPLEX TERMINAL CONNECTIONS	
F	DECIMALS .xxx = ±.005 .xx = ±.010 FRACTIONAL x/x = ±.1/64 ANGLES x° = ±1/2°	C. BARRICK	05/28/09		
E		MATERIAL SPECIFICATION: AS NOTED			
D				FULL	50A506
C					
B					
A					

115V CONNECTION DIAGRAM

TIGHTENING TORQUE FOR TERMINAL BLOCK IS 16 in-lbs.

INCOMING POWER CONNECTIONS

PUMP & FLOAT CONNECTIONS



ALL INFORMATION CONTAINED IN THIS DRAWING IS CONFIDENTIAL AND PROPRIETARY TO SEPTIC PRODUCTS INC.



Septic Products Inc.

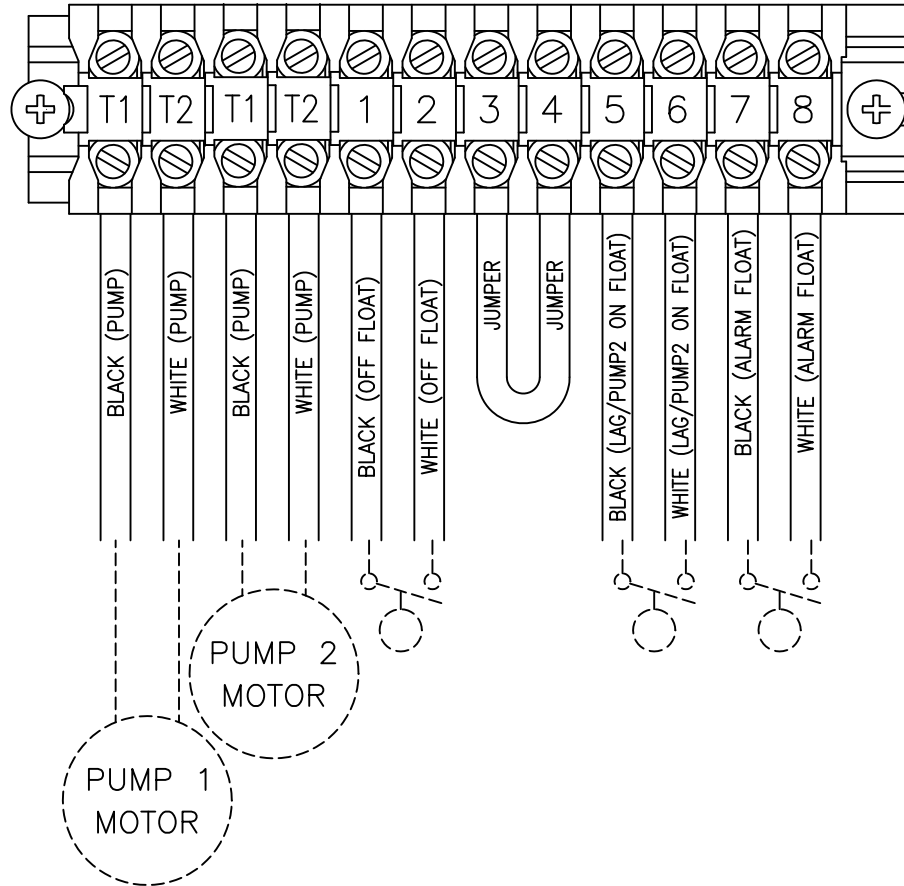
CHANGES	TOLERANCES	DRAWN BY	DATE
F	DECIMALS .xxx = ±.005	C. BARRICK	05/28/09
E	.xx = ±.010	MATERIAL SPECIFICATION: AS NOTED	
D	FRACTIONAL		
C	x/x = ±.1/64		
B	ANGLES		
A	x' = ±1/2'		

115/230V DUPLEX
TERMINAL CONNECTIONS

SCALE:	PART NO.
FULL	50A506

CONNECTION DIAGRAM (3 FLOAT SYSTEM)

TIGHTENING TORQUE FOR TERMINAL BLOCK IS 16 in-lbs.
SEE PAGE 1 OR 2 FOR INCOMING POWER. CONNECT FLOATS AS SHOWN HERE.



ALL INFORMATION CONTAINED IN THIS DRAWING IS
CONFIDENTIAL AND PROPRIETARY TO SEPTIC PRODUCTS INC.



Septic Products Inc.

CHANGES	TOLERANCES	DRAWN BY	DATE
F	DECIMALS .XXX = ±.005 .XX = ±.010 FRACTIONAL X/X = ±.1/64 ANGLES X° = ±1/2°	C. BARRICK	05/28/09
E		MATERIAL SPECIFICATION: AS NOTED	
D			
C			
B			
A			

115/230V DUPLEX TERMINAL CONNECTIONS	
SCALE:	PART NO.
FULL	50A506

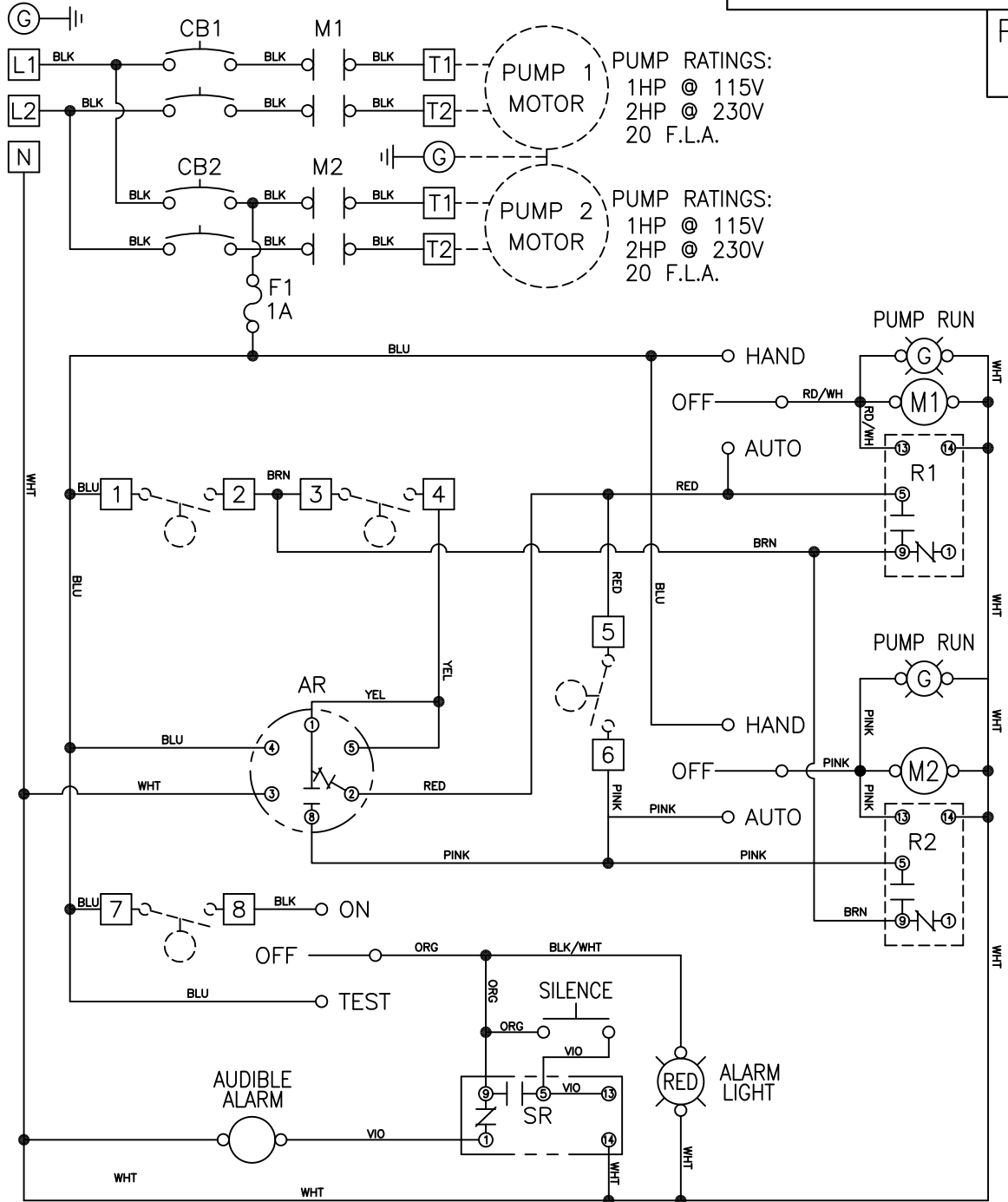
PUMP CIRCUIT
115/230V - 1PH

NOTE: PUMP MOTOR MUST HAVE
INTERNAL OVERLOAD PROTECTION.

MODEL NO.

SDC12B

PAGE
4



NOTES: FLOAT SWITCH TO BE RATED 2 AMP AT 120V MINIMUM.
MAIN PANEL DISCONNECT MUST BE PROVIDED BY INSTALLER.
DASHED LINES INDICATE ITEMS NOT CONTAINED IN THE PANEL.
FIELD WIRING MUST BE A MINIMUM OF 60°C COPPER WIRE.
TO PRESERVE ENVIRONMENTAL RATING OF PANEL, USE FITTINGS
AND HUBS WITH SAME ENVIRONMENTAL RATING AS ENCLOSURE

SPI/BIO

Wastewater Technologies

CHANGES	TOLERANCES	DRAWN BY	DATE	DUPLIX 115/230V SCHEMATIC	
F	DECIMALS .XXX = ±.005	D. MIDDLETON	06/20/04	SCALE:	PART NO.
E	.XX = ±.010	MATERIAL SPECIFICATION: AS NOTED		FULL	50A506
D	FRACTIONAL X/X = ±.1/64				
C	ANGLES X° = ±1/2°				
B					
A					