

www.septicsolutions.com
 SEPTIC SOLUTIONS, INC.
CYCLONE™
 High Performance Air Pumps

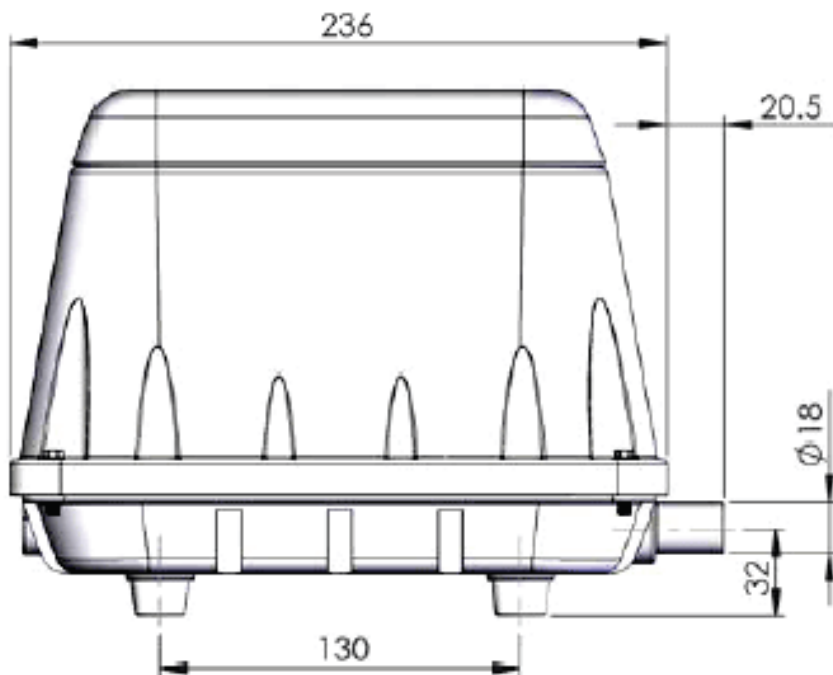
SS-40



AIR PUMP SPECIFICATIONS

Voltage	115 VAC
Amperage	1.1 A
Wattage	46 W
Max CFM	2.1 cfm
Rated LPM	40 lpm
Max PSI	6.25 psi

CFM = Cubic Feet/Min LPM = Liters/Min PSI = Lbs/Sq In



Dimensions measured in mm

