

EFFLUENT PUMPS
Model: EPH30



Features

- Heavy duty cast iron construction
- Continuous duty rated PSC motor
- Recessed cast iron vortex impeller
- 3/4" solids handling
- 1-1/2" NPT discharge

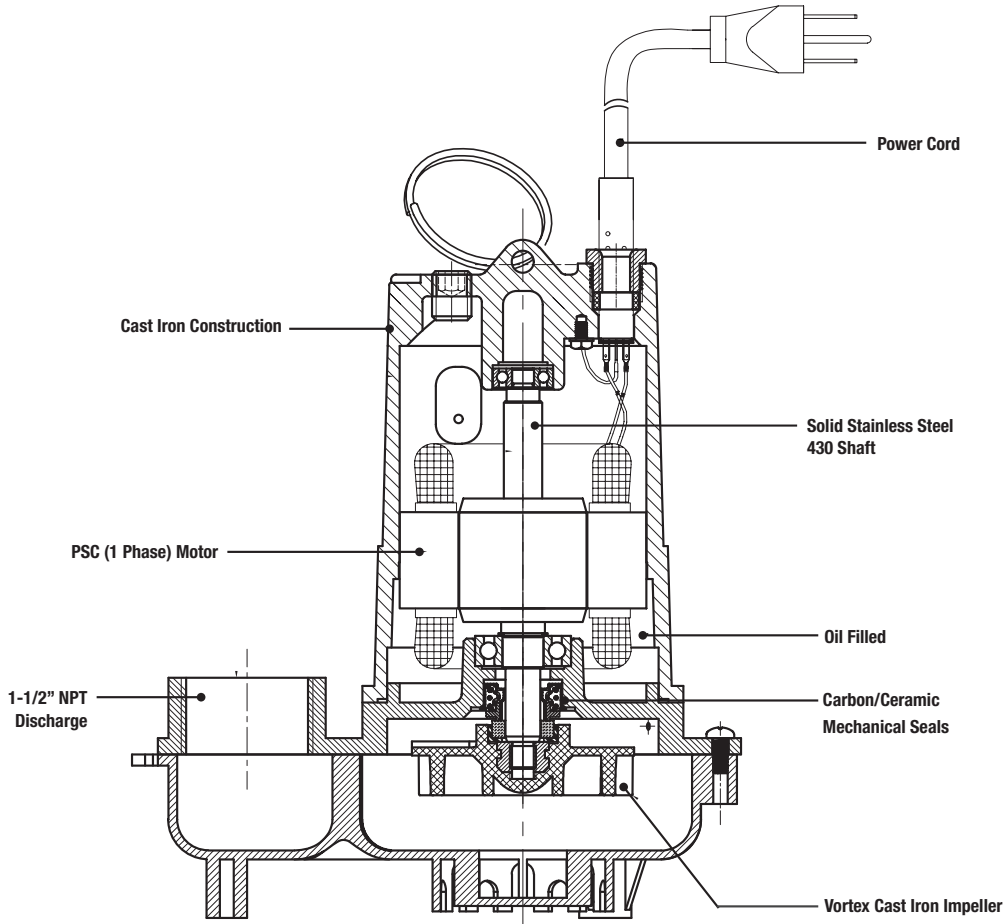
Specifications

Physical Data:	
DISCHARGE SIZE	1-1/2" NPT
IMPELLER TYPE	Recessed Cast Iron Vortex
CABLE LENGTH	20'
Liquid Handling:	
MAXIMUM LIQUID TEMP.	104°F – Intermittent
ACCEPTABLE PH RANGE	6-8
Temperature:	
MAXIMUM STATOR	130°C
Technical Data:	
POWER CORD TYPE	SJTW
MOTOR HOUSING	Cast Iron
CASING	Cast Iron
IMPELLER	Cast Iron
MOTOR SHAFT	SS430
HARDWARE	SST
"O" RINGS	NBR
MECHANICAL SEAL	Single Mechanical, Carbon Ceramic
UPPER BEARING	608-2RZ
LOWER BEARING	6202

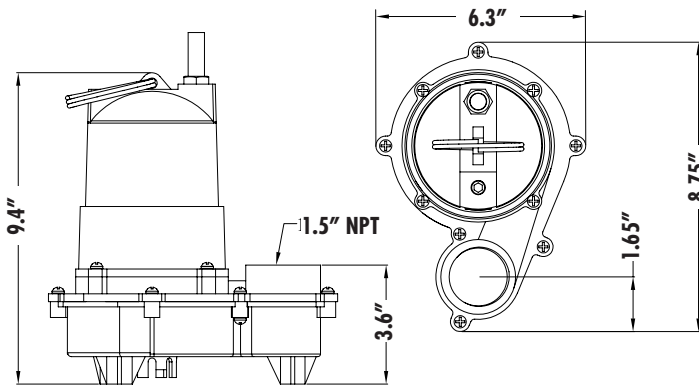
Specifications

Model	HP	Hz	Volts/Ph	RPM	Full Load Amps	Nema Start Code	Cord Type	Cord Power Size	Cord O.D.
EPH30M1-20	3/10	60	115	3450	7.0	P	SJTW	18AWG/3C	.34
EPH30M2-20	3/10	60	230	3450	3.5	P	SJTW	18AWG/3C	.34
EPH30W1-20	3/10	60	115	3450	7.0	P	SJTW	18AWG/3C	.34
EPH30W2-20	3/10	60	230	3450	3.5	P	SJTW	18AWG/3C	.34

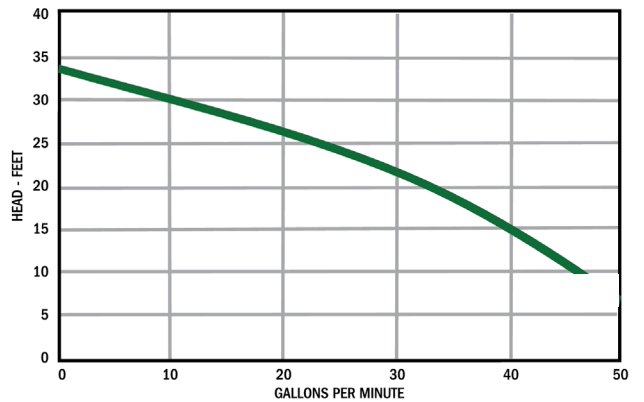
Features



Dimensions



Performance Curve



P U M P

Honest, Professional, Dependable

1899 Cottage Street, Ashland, Ohio 44805
 Telephone: 855 281-6830 · Fax: 877 326-1994 · ashlandpump.com