



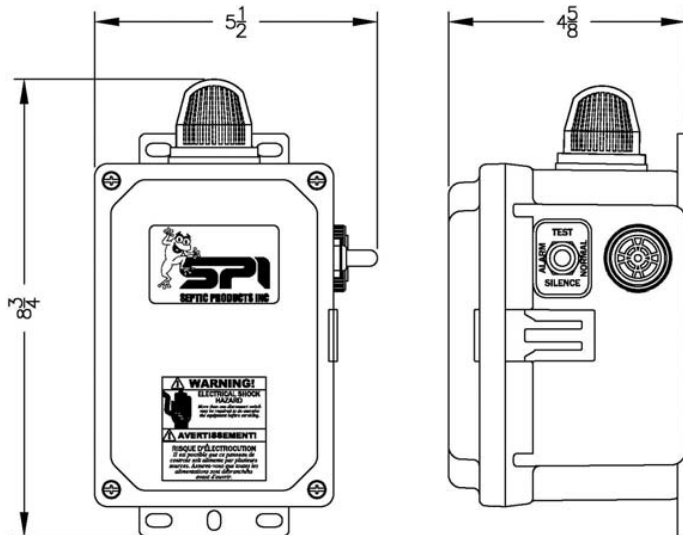
## “Observer 500” Series Indoor/Outdoor Alarm

### Features & Benefits

- NEMA 4x Thermoplastic Enclosure
- Large Alarm Condition Indicating Light
- Audible Horn rated 85db @ 10'
- Alarm Test-Normal-Silence switch
- Automatic Alarm Reset
- Supplied w/Cord Grip for Float Switch Installation
- Includes 15' Mechanical Alarm Float & mounting tie strap
- 6' Power Cord with 115 volt plug
- Suitable for Indoor or Outdoor Use
- Two Year Limited Warranty
- Available in both High Water & Low Level Alarm versions



### Dimensions



(Standard Observer 500 Shown)

\*Note: Consult the factory for other available options.

**“Observer 500” Series Indoor/Outdoor Alarm**

Typical Installation

