

10ECH SERIES - 1/2 HP

APPLICATIONS

Effluent wastewater removal, dewatering, water transfer

FEATURES

- Permanent Split Capacitor (PSC)
- Designed for continuous duty
- Energy-saving low amp draw
- 1-1/2" FNPT (38 mm) discharge
- Handles solids up to 3/4" (19 mm) diameter
- Multiple switch options for automatic operation
- 140 °F (60 °C) liquid temperature rating
- cCSAus listed



10ECH-CIA-RF

10ECH-CIM

10ECH-CIA-SFS

SERIES SPECIFICATIONS

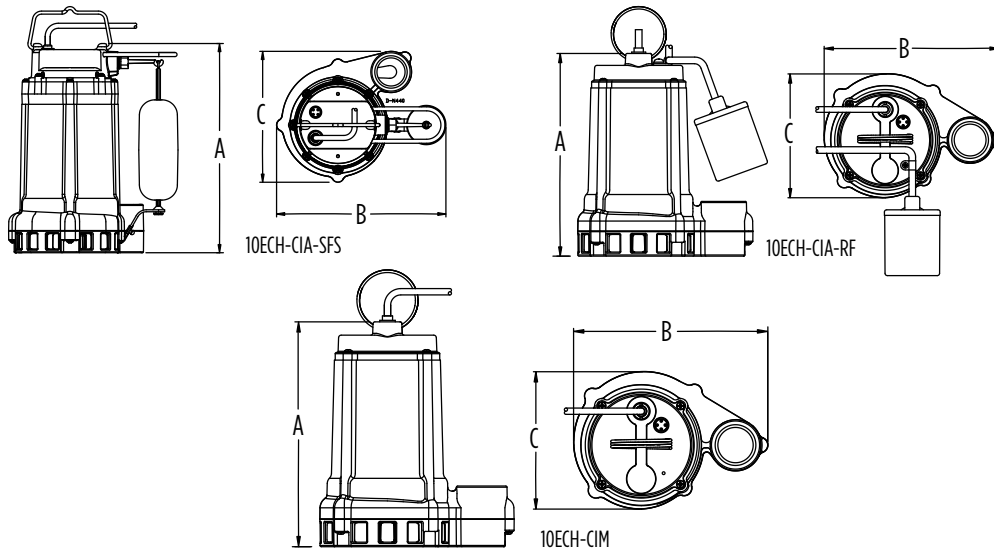
Model	HP	Volts	HZ	Amps	Watts	Max. Water Temp.	GPM / Liters per Minute @ Height					Shut-Off	
							5 ft / 1.5 m	10 ft / 3 m	20 ft / 6.1 m	30 ft / 9.1 m	40 ft / 12.2 m	ft / m	PSI / Bar
10ECH	1/2	115	60	9	1030	140 °F / 60 °C	60 / 227	55 / 208	45 / 170	30 / 114	15 / 57	60 / 18.3	26 / 1.79
	1/2	230	50/60	-	-	140 °F / 60 °C	60 / 227	55 / 208	45 / 170	30 / 114	15 / 57	60 / 18.3	26 / 1.79

Item No.	Model	HP	Volts	Switch Type / Operation	On Level	Off Level	Cord	Weight
511623	10ECH-CIA-SFS	1/2	115	Integral Float Switch	8" - 11" 20 cm - 28 cm	3" - 6" 8 cm - 15 cm	20' 6.1 m	38 lbs 17.24 Kg
511624	10ECH-CIA-SFS	1/2	115	Integral Float Switch	8" - 11" 20 cm - 28 cm	3" - 6" 8 cm - 15 cm	30' 9.1 m	39 lbs 17.69 Kg
511621	10ECH-CIA-RF	1/2	115	Piggyback Float Switch	13" - 16" 33 cm - 41 cm	7" - 10" 18 cm - 25 cm	20' 6.1 m	38 lbs 17.24 Kg
511622	10ECH-CIA-RF	1/2	115	Piggyback Float Switch	13" - 16" 33 cm - 41 cm	7" - 10" 18 cm - 25 cm	30' 9.1 m	39 lbs 17.69 Kg
511625	10ECH-CIM	1/2	115	Manual	-	-	20' 6.1 m	37 lbs 16.78 Kg
511627	10ECH-CIM	1/2	115	Manual	-	-	30' 9.1 m	39 lbs 17.69 Kg
511626	10ECH-CIM	1/2	230	Manual	-	-	20' 6.1 m	37 lbs 16.78 Kg

EFFLUENT PUMPS

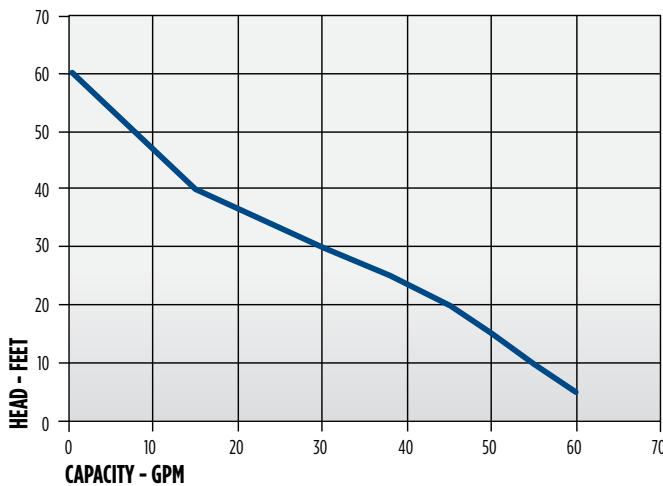
10ECH SERIES - 1/2 HP

ENGINEERING DATA



Model	A	B	C
10ECH-CIA-SFS	11.31" (287.3 mm)	10.7" (271.8 mm)	8.4" (213.4 mm)
10ECH-CIA-RF	11.3" (287.0 mm)	8.9" (226.1 mm)	8.4" (213.4 mm)
10ECH-CIM	11.31" (287.3 mm)	8.85" (224.8 mm)	8.41" (213.6 mm)

PERFORMANCE DATA



CONSTRUCTION

Cover	Epoxy-coated cast iron/ *Thermoplastic
Motor Housing	Epoxy-coated cast iron
Impeller Material	Thermoplastic elastomer
Impeller Type	Non-clog
Volute	Epoxy-coated cast iron
Mechanical Shaft Seal	Nitrile with carbon and ceramic faces
Fasteners	Stainless steel
Shaft	Steel
Bearings	Upper and lower ball bearing
Power Cord	SJTW **SJTOW

* On SFS models

** On 30' 10ECH-CIA-RF and 10ECH-CIM models