

APS™ Simplex Control Panel

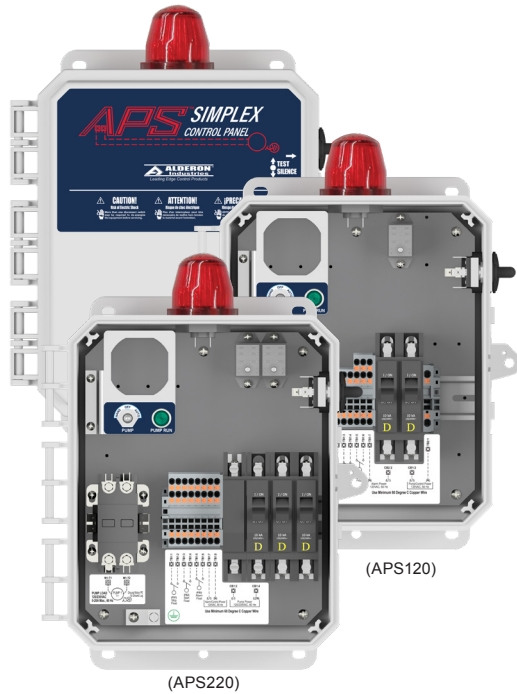
Single Phase Simplex, Type 4X (Indoor/Outdoor)
 Model: APS120 (120VAC) and APS220 (120/230VAC)

OPAQUE DOOR, ALARM BEACON, and LOCKABLE LATCHES



Leading Edge Control Products

MARKETING DATA FLIER



STANDARD FEATURES

- **Type 4X Enclosure, Indoor or Outdoor Use, Pad-Lockable**
 - Standard Enclosure Size 10" x 8" x 4" (inches)
 - Opaque Door, Red Alarm Beacon
 - Alarm Buzzer and Alarm Test/Silence Switch
- **Main Panel Components**
 - Type 4X Enclosure
 - Pump Circuit Breaker and IEC Contactor Pump Starter
 - Circuit Breaker Protection for Alarm and Control Circuits
 - HOA Switch
 - Pump Run Indicator
- **Electrical Ratings**
 - APS120 – 120 VAC Only, 20 Amps Maximum
 - APS220 – 120, 208 or 230 VAC, 20 Amps Maximum
- **36" Pedestal (optional)**
 - Panel Enclosure Mounted on Pedestal

ORDERING INFORMATION

For a complete list of standard products with pricing, refer to the current price sheet or scan the QR code for more information on this product.



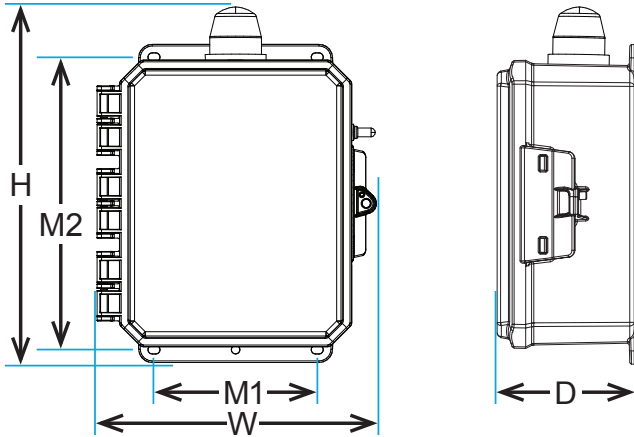
APS™ - SINGLE PHASE | SIMPLEX

Base Model	Control Panel Description			
APS120	APS™, Single Phase Simplex, 120VAC, 20 A			
APS220	APS™, Single Phase Simplex, 120/230VAC, 20 A			
Panel Code	Alarm Float Options	Control Switch Options	Panel Code	Description
X	No Alarm Float		X	No Control Switch
-1	(1) 15' Float, Stainless Steel Pipe Clamp	1 Wide Angle Control Switch Setup	-1	(1) 15' Wide Angle Control Switch, Stainless Steel Pipe Clamp
-2	(1) 20' Float, Stainless Steel Pipe Clamp		-2	(1) 20' Wide Angle Control Switch, Stainless Steel Pipe Clamp
-3	(1) 15' Float, Cast Iron Cable Weight		-3	(1) 15' Wide Angle Control Switch, Cast Iron Cable Weight
-4	(1) 20' Float, Cast Iron Cable Weight		-4	(1) 20' Wide Angle Control Switch, Cast Iron Cable Weight
		2 Narrow Angle Control Switch Setup	-5	(2) 15' Narrow Angle Control Switch, Stainless Steel Pipe Clamp
			-6	(2) 20' Narrow Angle Control Switch, Stainless Steel Pipe Clamp
			-7	(2) 15' Narrow Angle Control Switch, Cast Iron Cable Weight
			-8	(2) 20' Narrow Angle Control Switch, Cast Iron Cable Weight

Example: APS120-1-5 = Single Phase Simplex, 120VAC Hardwire, (1) 15' Alarm Float, Stainless Steel Pipe Clamp, (2) 15' Narrow Angle Control Switches, Stainless Steel Pipe Clamps

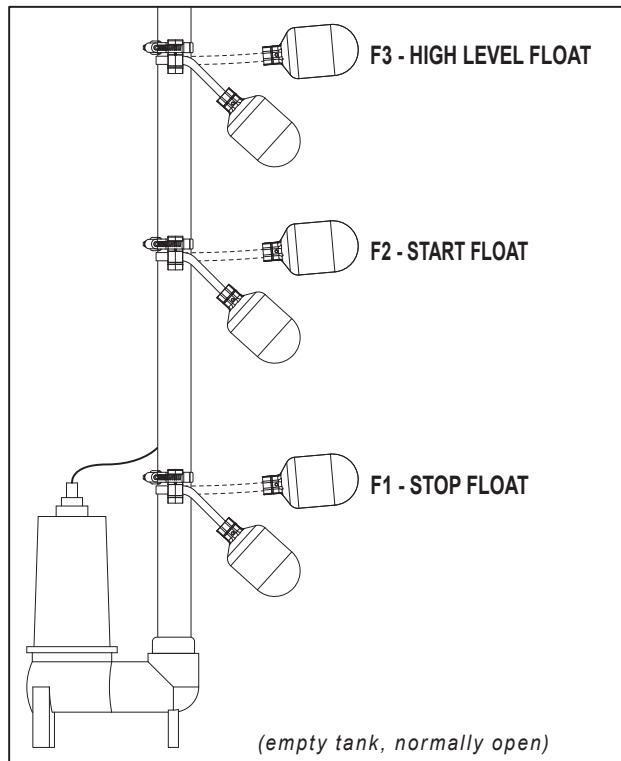
APS™ Simplex Control Panel | PRODUCT DIMENSIONS and APPLICATION EXAMPLES

Visit alderonind.com to expand your system with other Alderon™ products for standard or custom applications

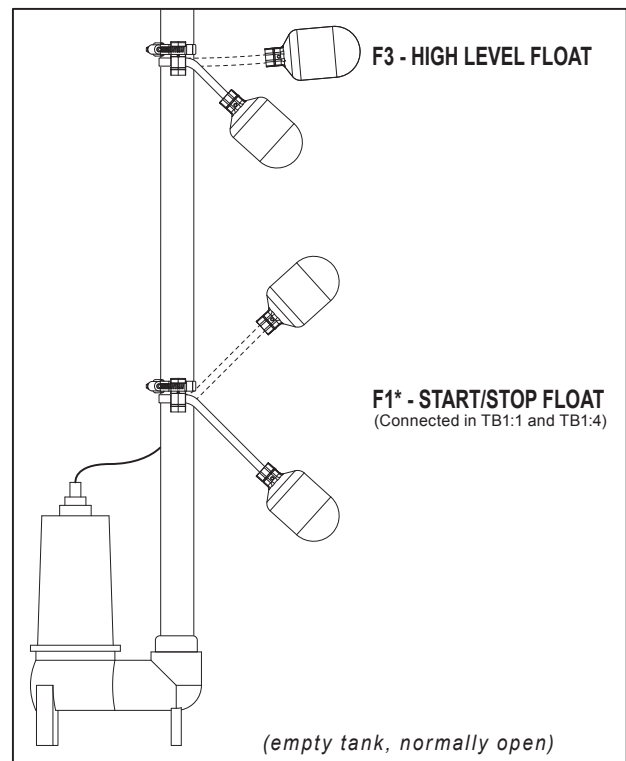


PANEL CODE (enclosure size)	OVERALL Width (W)	OVERALL Height (H)	OVERALL Depth (D)	MOUNTING Width (M1)	MOUNTING Height (M2)
Base Model 10 x 8 x 4	10.27	11.69	5.01	6.13	10.75
Enclosure measurements (inches)					

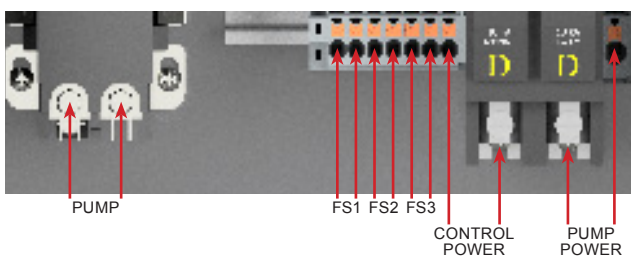
3-FLOAT EXAMPLE



2-FLOAT EXAMPLE



APS 120 Terminals:



APS 220 Terminals:

