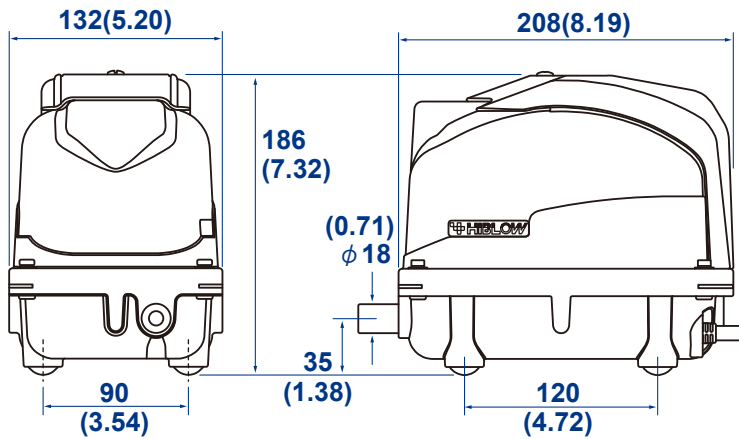


XP-40,60,80

Small & medium capacity air pump

Dimensions

[Unit: mm(inch)]



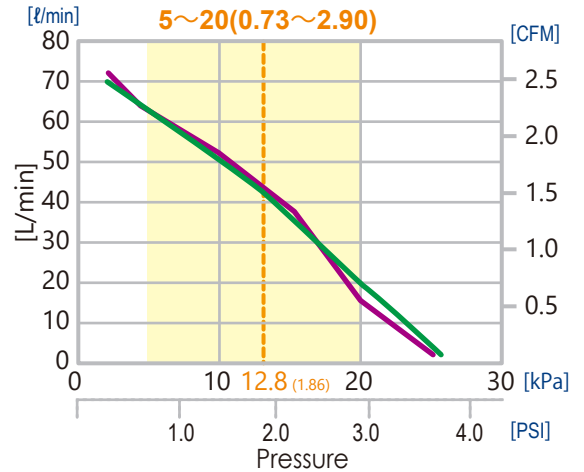
Specifications

		XP-40	XP-60	XP-80
Rated Voltage	V	AC100 / 120 / 230		
Power Supply Frequency	Hz	50 / 60	50 / 60	50 / 60
Rated Loading Pressure	kPa	12.8	14.7	
Airflow Volume	ℓ/min	40	60	80
Power Consumption	W	30	39	58
Noise Level	dBA	33	35	36
Weight	kg	4.1	4.3	
Pressure range for use	kPa	5~20	5~23.5	5~27.5

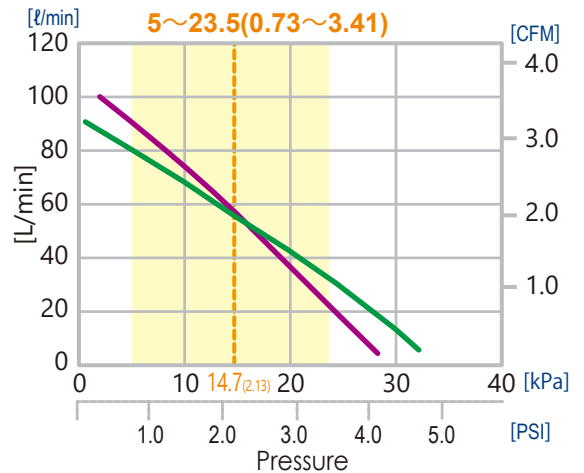
Performance Curves

--- Rated Loading Pressure [kPa(PSI)]
 — 50Hz — 60Hz Pressure range for use

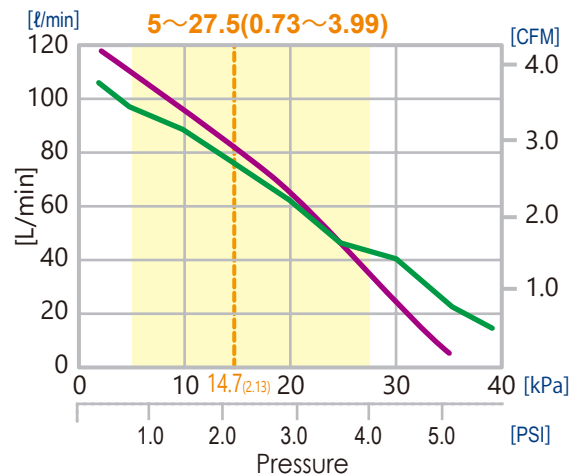
XP-40



XP-60



XP-80



- Flow measured in Normal(NL/min)
- Performance data is representative of typical values. Specifications and performance data are subject to change without notice. Purchaser is responsible for determining suitability for product applications
- "HIBLOW" is a registered mark of Techno Takatsuki co., Ltd.