

# VersAlarm™ I/O 1-Zone Tank Alarm, Cable/Float



Leading Edge Control Products

Rated Type 3R, Indoor / Outdoor Alarm Panel

TANK ALARM with PRE-INSTALLED POWER CABLE and CONTROL SWITCH

TECHNICAL DATA SHEET

## DESCRIPTION OF OPERATION



(120VAC model shown)

The VersAlarm™ I/O 1-Zone Tank Alarm is an indoor and outdoor rated alarm panel, powered by a standard wall outlet (120VAC or 230VAC) using the pre-installed power cable. When powered, the green LED will illuminate inside the top cover of the enclosure to indicate the unit is powered on. This alarm can be used for a wide variety of applications, including but not limited to: septic tanks, sump pits, holding tanks, pump chambers, and water tanks. Available in 120VAC or 230VAC models.

The alarm panel is equipped with audible and visual alarm indication, activated by the pre-installed normally open or normally closed float switch connected to the terminal block. A variety of sensors can be used such as a float switch, pressure switch, or any "dry" type sensor that "closes" during an alarm condition (normally open or normally closed). Use the auxiliary contacts to connect to a building automation system (BAS) and phone dialers.

Use normally open float switches for high level alarm indication and normally closed float switches for low level alarm indication.

During an alarm condition, the red alarm LEDs will illuminate, flashing and the buzzer will annunciate. The alarm condition will stay on until the alarm float switch is deactivated. If the test/silence pushbutton is pressed during an alarm condition, it will silence the buzzer and the red alarm LEDs will stop flashing and remain solid. The silence condition will reset when the alarm float switch deactivates. If the alarm is in silence mode for longer than 24 hours, the alarm will reactivate.

## STANDARD FEATURES



**(1) Power On Indicator** - Green LED illuminates the top cover of the enclosure to indicate the power is on.

**(2) Alarm Beacon** - During an alarm condition, the red alarm LEDs will illuminate, flashing inside the top cover of the enclosure.

**(3) Alarm Buzzer** - The alarm buzzer will annunciate in addition to the visual indication provided by the red LEDs during an alarm condition.

**(4) Test/Silence Pushbutton** - This button may be used to either test or silence the alarm. Testing will activate the alarm beacon and buzzer. During an alarm condition, it will silence the buzzer and the red LEDs will stop flashing and remain solid.

**(5) Sensor Input** - Terminals for sensor connection, pre-installed alarm float switch.

**(6) Auxiliary Contacts** - Interface with an external device. The contacts are rated for 24VDC at 0.5A maximum.

**(7) Power Mains Input** - Terminals for L1 and L2/N connections on the pre-installed incoming power cable, available in 120VAC or 230VAC.

**(8) Power Indicator Turn Off** - Flip switch down to turn off green power LED. Reverse process to turn power indicator back on, flip switch up.

**(9) QR Code** - Scan code which directs you to [alderonind.com](http://alderonind.com) where additional information can be found for the VersAlarm™ I/O.

**(10) Cable Grips (not shown)** - Pre-installed for easy installation.

**(11) 6-Foot Power Cable (not shown)** - Pre-installed, male, available in 120VAC or 230VAC.

**(12) Alarm Float Switch/Sensor (not shown)** - Pre-installed for easy installation.

# SPECIFICATIONS

## VersAlarm™ I/O 1-Zone Tank Alarm



### 6-Foot Power Cable

Male, 120VAC or 230VAC, 50/60 Hz  
(voltage depends on model/part number)

### Power

2.64 Watts maximum  
(alarm condition)

### Certifications

FCC Part 15 (US and Canada)  
CSA (US and Canada)

### Auxiliary Contacts

24VDC at 0.5 Amps maximum

### Enclosure

Type 3R, Indoor and Outdoor

### Three-Year Limited Warranty

## Altra™ Control Switch



### Electrical

5 Amp and 5 Amp or 1mA, 120/240VAC

### Operating Temperature

0 - 140° F

### Cable Type (bare leads)

SJOOW (UL/CSA), 18 gauge, 2-conductor, flexible, and water/oil resistant

### Float Housing

Polypropylene

### Switch Configuration

Single Pole, Single Throw  
(normally open or normally closed)

### Switching Differential

20° total (narrow angle) and 90° total (wide angle)

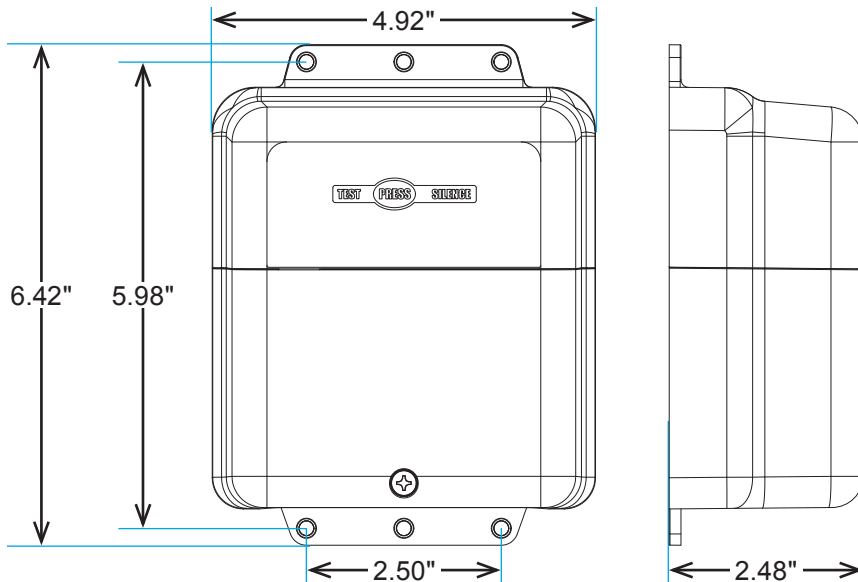
### Certifications

CSA (US and Canada)

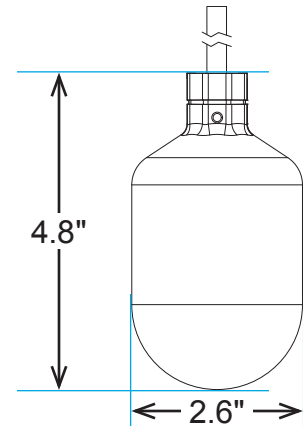
### Three-Year Limited Warranty

# MECHANICAL DRAWING

VersAlarm™ I/O Tank Alarm



Altra™ Control Switch



# ORDERING INFORMATION

For a complete list of standard products with pricing, refer to the current year price sheet or visit [alderonind.com](http://alderonind.com) for more information.

PART NUMBER	DESCRIPTION (Alarm Panel includes: Auto Reset and Auxiliary Contacts with Pre-installed Power Cable, Float Switch, and Cable Grips)
2000036	VersAlarm™ I/O - Tank Alarm, 120VAC Power Cable, High Level, 15' Float Switch, RubberLox™ Pipe Clamp
2000037	VersAlarm™ I/O - Tank Alarm, 120VAC Power Cable, High Level, 20' Float Switch, RubberLox™ Pipe Clamp
2000039	VersAlarm™ I/O - Tank Alarm, 120VAC Power Cable, Low Level, 15' Float Switch, RubberLox™ Pipe Clamp
2000040	VersAlarm™ I/O - Tank Alarm, 120VAC Power Cable, Low Level, 20' Float Switch, RubberLox™ Pipe Clamp
2000083	VersAlarm™ I/O - Tank Alarm, 230VAC Power Cable, High Level, 15' Float Switch, RubberLox™ Pipe Clamp
2000084	VersAlarm™ I/O - Tank Alarm, 230VAC Power Cable, High Level, 20' Float Switch, RubberLox™ Pipe Clamp
2000086	VersAlarm™ I/O - Tank Alarm, 230VAC Power Cable, Low Level, 15' Float Switch, RubberLox™ Pipe Clamp
2000087	VersAlarm™ I/O - Tank Alarm, 230VAC Power Cable, Low Level, 20' Float Switch, RubberLox™ Pipe Clamp