

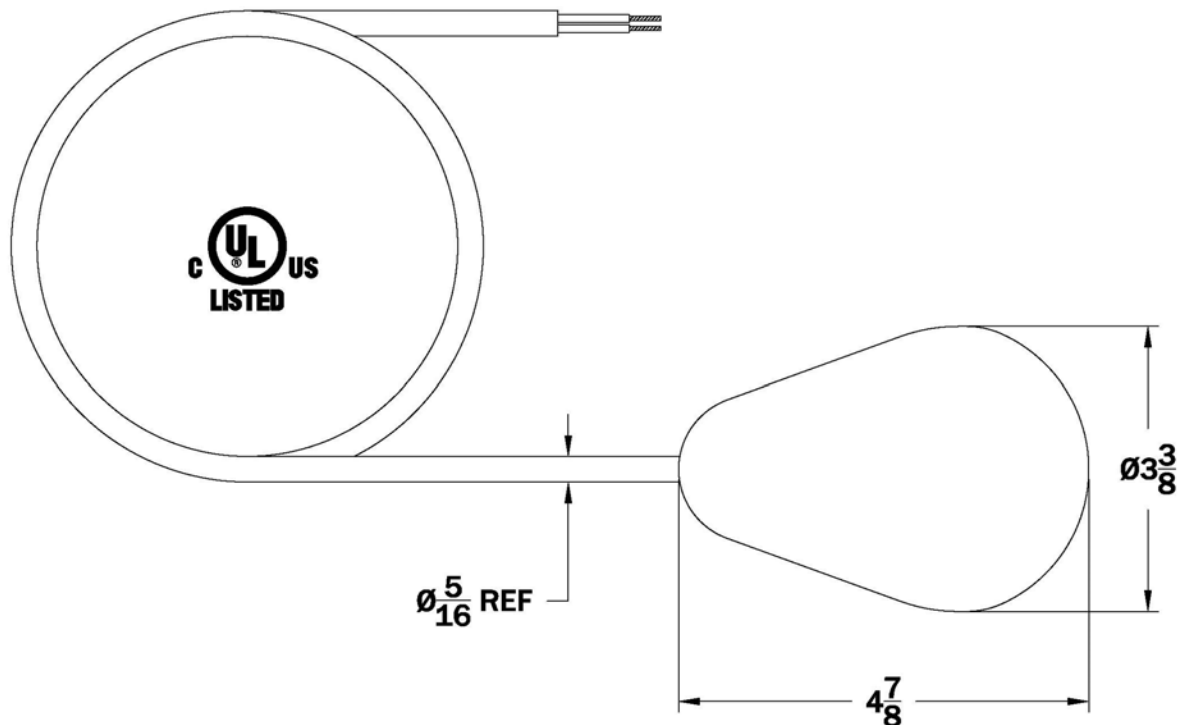


## Float Switches

### “20A000-E” Series Eco-Friendly Navigator Float Switches

#### Features & Benefits

- Durable ABS Body Foam Filled Construction
- Mechanical Type Actuation (No Mercury)
- Wide Angle (90° Operating Range)
- Pump Duty Rated
- Rated ½ Hp @ 120VAC, 1 Hp @ 240VAC (13 Amps)
- Available with Piggyback 120V or 230V Plug or without Plug
- Available in Pump Up or Pump Down Configurations
- Available w/External Weight, SST Pipe Clamp or Cable Tie
- Multiple Cord Lengths Available



\*Note: Consult the factory for other available options.

**“20A000-E” Series Eco-Friendly Navigator Float Switches**

**Typical Mounting**

