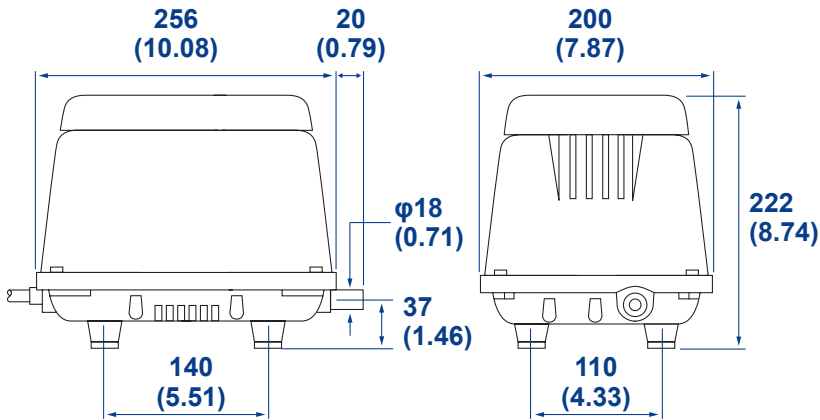


HP-100LL, 120LL

PRESSURE TYPE

Dimensions

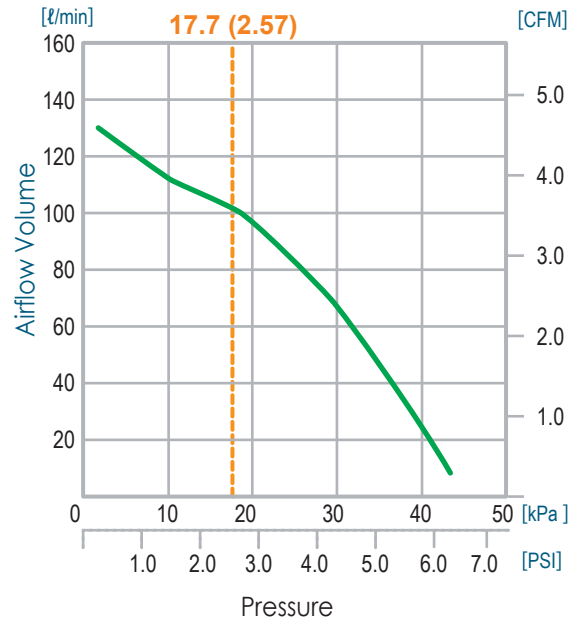
[Unit: mm(inch)]



Performance Curves

----- Rated Loading Pressure [kPa(PSI)]

HP-100LL



Specifications

		HP-100LL	HP-120LL
Rated Voltage	V	AC100 / 110-120 / 220-240	
Power Supply Frequency	Hz	60	60
Rated Loading Pressure	kPa	17.7	
Airflow Volume	ℓ/min	100	120
Power Consumption	W	75	100
Noise Level	dBA	42	45
Weight	kg	9.0	

HP-120LL

